

DF-M18-12

2MP HD-SDI Indoor Dome Camera

HD-SDI
DC K



- ❖ 1/3" 2MP Panasonic CMOS
- ❖ 1080p 30fps, 720p 60fps
- ❖ Real-time True WDR
- ❖ HD-SDI, EX-SDI, 960H

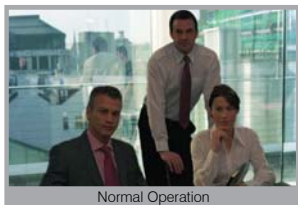
SPECIFICATIONS

MODEL	DF-M18-12
Image Sensor	1/3" Panasonic CMOS
Total Pixels	1956(H) x 1266(V) = 2,476,296 (pixel)
Active Pixels	1944(H) x 1092(V) = 2,122,848 (pixel)
Scanning System	Progressive
Resolution	Digital : 1080p/30(25)fps, 720p/60(50)fps, 720p/30(25)fps 960H(Over 800 TVL)
Min. Illumination	Color : 0.5 lux , BW : 0.1 lux, Color DSS : 0.002 lux , BW DSS : 0.001 lux
Video Output	HD-SDI, EX-SDI, 960H
Lens	3.6mm Fixed Lens
S/N Ratio	more than 50dB (AGC off)
Brightness	0 ~ 20 steps
Shutter Speed	Auto / Manual (1/30(1/25) ~ 1/60000)
Flickerless	Off / On
DSS	Off / x2 / x3 / x4
AGC	Off / On
WDR/BLC	Off / WDR / BLC
Day&Night	Auto / Day / Night / Ext
White Balance	Auto / One Push / Manual / Indoor / Outdoor
Sharpness	0 ~ 10 steps
Mirror	Off / H / V / H&V
Freeze	Off / On
Digital Zoom	Off/ Max x2~x32
HLC	Off / On
ACE	Off / Low/Middle/High
DNR	Off / Low / Middle / High / Auto
Digital Compress	Off / On
Privacy	24 points
Motion	3 points
Defect Detection	One Push (Enter)
Defog	Off / On
Language	English / Simplified Chinese / Traditional Chinese / Japanese
Power Source	DC12V±10%
Power Consumption	Max 700mA
Power Input	DC jack
Operating Temperature	-10℃ ~ +50℃ (Humidity : 0%RH ~ 80%RH)
Storage Temperature	-20℃ ~ +60℃ (Humidity : 0%RH ~ 90%RH)
Weight	Approximately 0.16kg

FEATURES

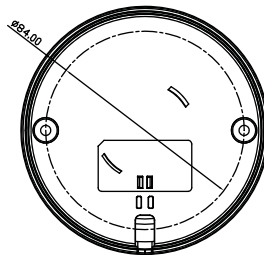
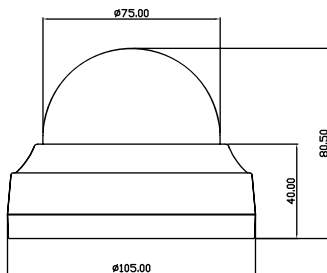
- 1/3" 2MP Panasonic CMOS sensor
- 1080p 30fps, 720p 60fps
- HD-SDI, EX-SDI, 960H
- 3MP 3.6mm Fixed Lens
- Real-time True WDR
- Digital Noise Reduction(2D+3D)
- Digital Slow Shutter
- Digital Image Stabilizer
- De-Fog, Live Defect correction, HLC(High Light Compensation)
- ACE(Advanced Contrast Enhancement)
- Privacy Mask, Motion Detection
- 12pcs IR LED(IR Distance 10m)

Real WDR



DIMENSIONS

Unit : mm



BF-M18-24

2MP HD-SDI Mini Bullet Camera

HD-SDI



FEATURES

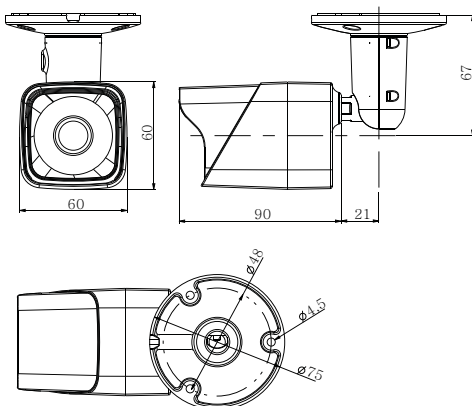
- 1/3" 2MP Panasonic CMOS sensor
- 1080p 30fps, 720p 60fps
- HD-SDI, EX-SDI, 960H
- 3MP 3.6mm Fixed Lens
- Real-time True WDR
- Digital Noise Reduction(2D+3D)
- Digital Slow Shutter
- Digital Image Stabilizer
- De-Fog, Live Defect correction, HLC(High Light Compensation)
- ACE(Advanced Contrast Enhancement)
- Privacy Mask, Motion Detection
- Built-in OSD Control joystick
- IP66 Waterproof
- 24pcs IR LED(IR Distance 20m)

Real WDR



DIMENSIONS

Unit : mm



- ❖ 1/3" 2MP Panasonic CMOS
- ❖ 1080p 30fps, 720p 60fps
- ❖ Real-time True WDR
- ❖ HD-SDI, EX-SDI, 960H

SPECIFICATIONS

MODEL	BF-M18-24
Image Sensor	1/3" Panasonic CMOS
Total Pixels	1956(H) x 1266(V) = 2,476,296 (pixel)
Active Pixels	1944(H) x 1092(V) = 2,122,848 (pixel)
Scanning System	Progressive
Resolution	Digital : 1080p/30(25)fps, 720p/60(50)fps, 720p/30(25)fps 960H(Over 800 TVL)
Min. Illumination	Color : 0.5 lux , BW : 0.1 lux, Color DSS : 0.002 lux , BW DSS : 0.001 lux
Video Output	HD-SDI, EX-SDI, 960H
Lens	3.6mm Fixed Lens
S/N Ratio	more than 50dB (AGC off)
Brightness	0 ~ 20 steps
Shutter Speed	Auto / Manual (1/30(1/25) ~ 1/60000)
Flickerless	Off / On
DSS	Off / x2 / x3 / x4
AGC	Off / On
WDR/BLC	Off / WDR / BLC
Day&Night	Auto / Day / Night / Ext
White Balance	Auto / One Push / Manual / Indoor / Outdoor
Sharpness	0 ~ 10 steps
Mirror	Off / H / V / H&V
Freeze	Off / On
Digital Zoom	Off/ Max x2~x32
HLC	Off / On
ACE	Off / Low/Middle/High
DNR	Off / Low / Middle / High / Auto
Digital Compress	Off / On
Privacy	24 points
Motion	3 points
Defect Detection	One Push (Enter)
Defog	Off / On
Language	English / Simplified Chinese / Traditional Chinese / Japanese
Power Source	DC12V±10%
Power Consumption	Max 700mA
Power Input	DC jack
Operating Temperature	-10℃ ~ +50℃ (Humidity : 0%RH ~ 80%RH)
Storage Temperature	-20℃ ~ +60℃ (Humidity : 0%RH ~ 90%RH)
Weight	Approximately 0.42kg